

WIRING DIAGRAM

DAIHATSU

CHARADE

FOREWORD

This WIRING DIAGRAM describes the electrical wiring diagram for Type HC Engine-mounted vehicle (G102 or G112) and Type CB Engine-mounted vehicle (G100).

As for the inspection or repair method of the each electrical part, please refer to the WORKSHOP MANUAL for ENGINE or CHASSIS.

The contents and specifications in this book may be partly revised without advance notice and without incurring any obligation.

Published in November, 1988

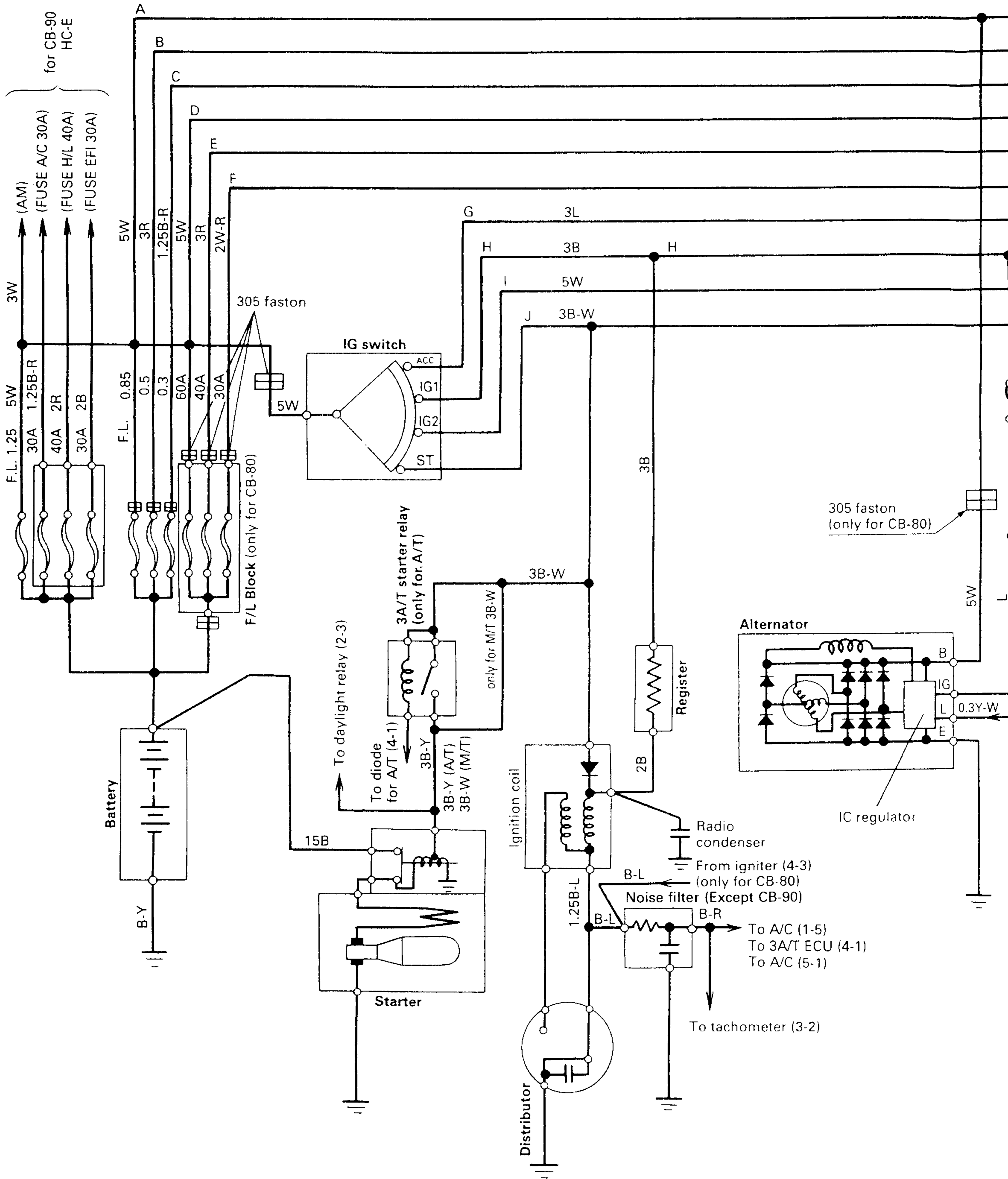
DAIHATSU MOTOR CO., LTD.

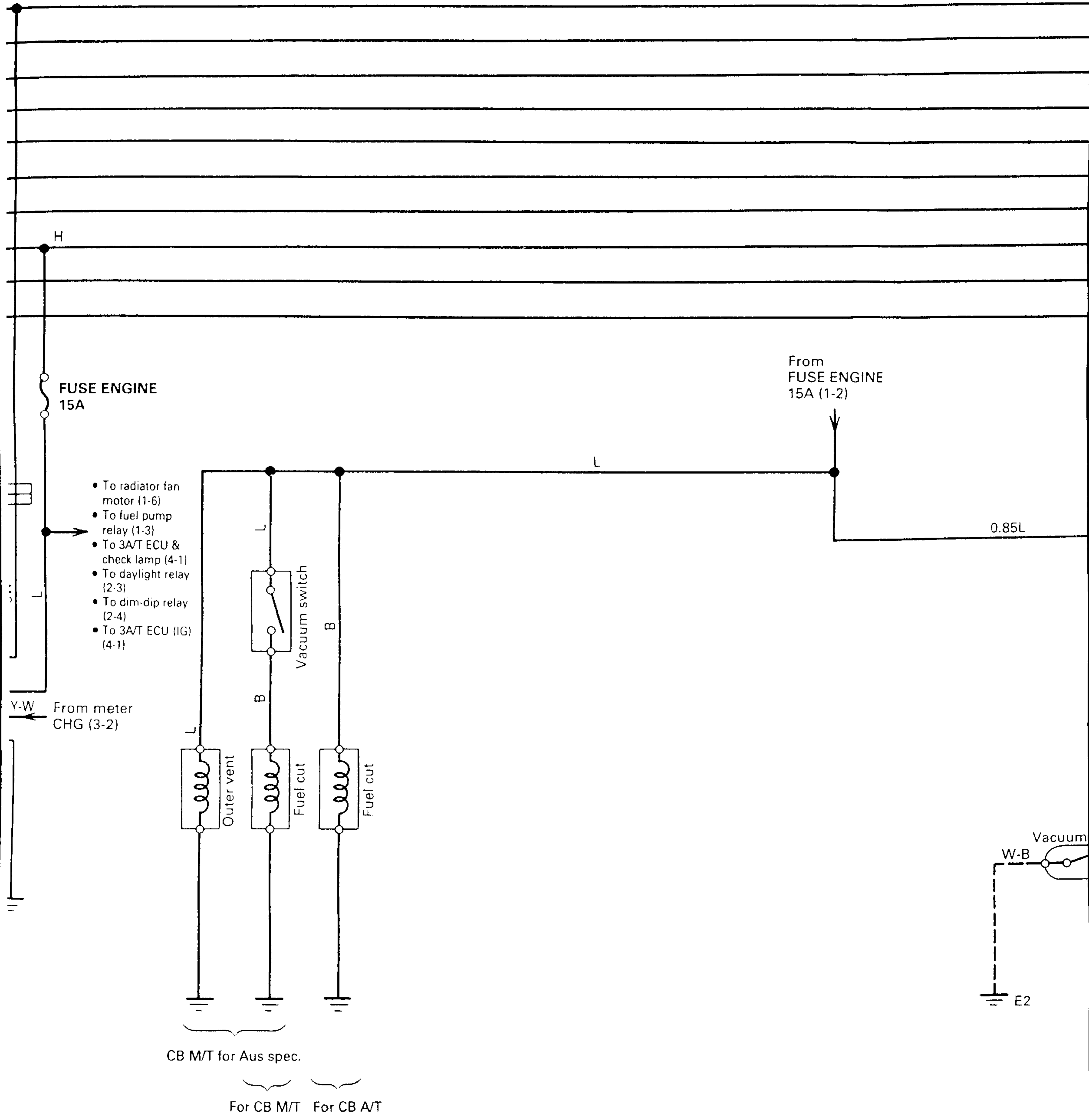
SYSTEM INDEX

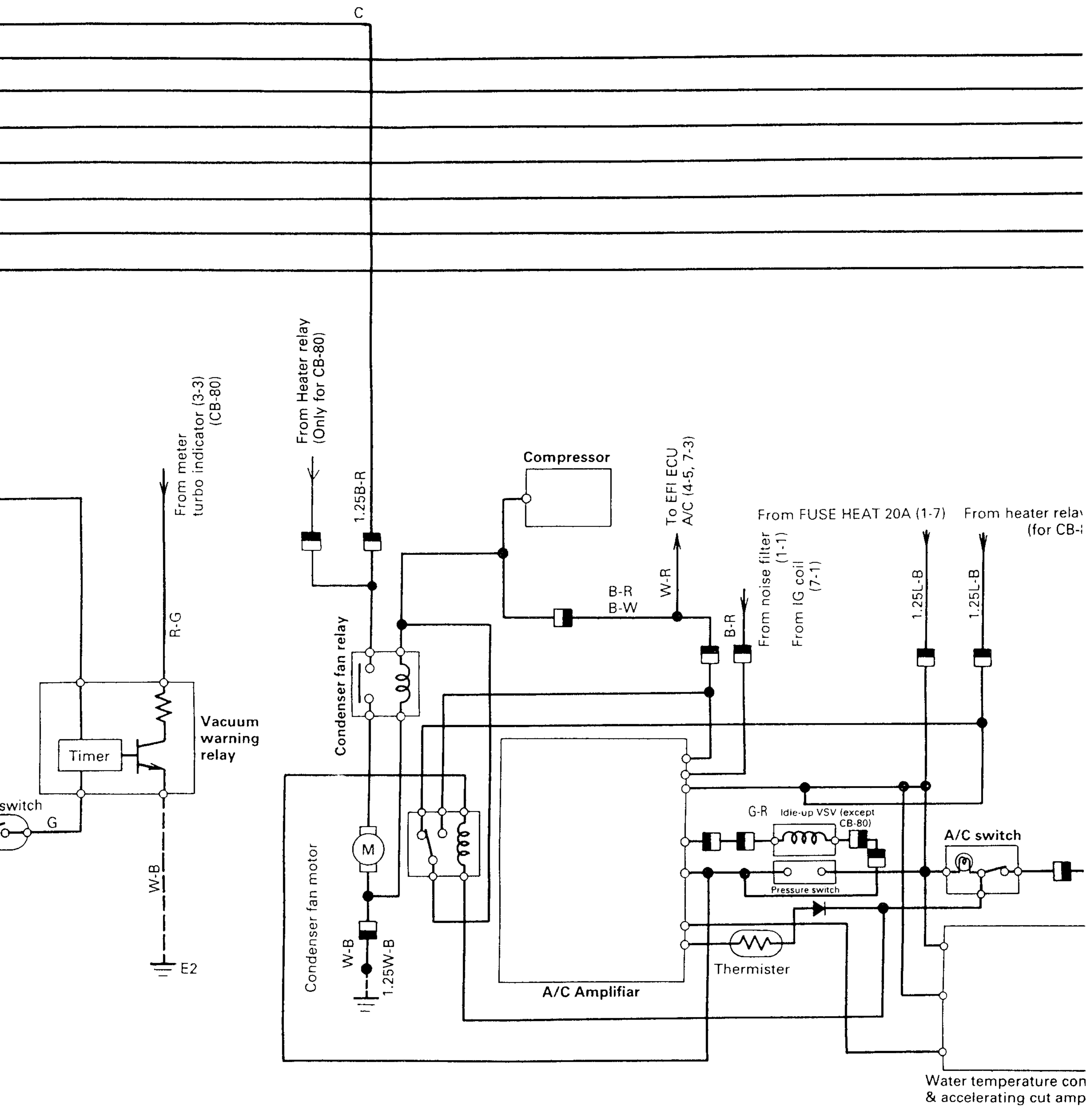
SYSTEMS	LOCATION		
	TYPE HC-E E/G	TYPE HC-C E/G	TYPE CB E/G
Air Conditioner	1-4	1-5	1-5
Alternator & Regulator	1-1	1-2	1-2
Automatic Transmission ECU	4-2	4-2	4-2
Battery	1-1	1-1	1-1
Central Door Lock	2-7	2-7	2-7
Cigar Lighter	2-5	2-5	2-5
Clock	2-5	2-5	2-5
Combination Meter	3-2	3-2	3-2
Daylight Relay	2-3	2-3	2-3
Dim-dip Relay	2-4	2-4	2-4
Distributor	1-1	1-1	1-1
EFI ECU	7-2	—	4-5 (CB-80)
Electronic Door Mirror	2-6	2-6	2-6
Front Wiper & Washer	3-7	3-7	3-7
Headlamp	2-3	2-3	2-3
Headlamp Cleaner	3-7	3-7	3-7
heater	1-3	1-7	1-7
Horn	3-5	3-5	3-5
Ignition Coil	1-1	1-1	1-1 (except CB-80 and CB-90) 4-3 (CB-80) 5-1 (CB-90)
Luggage Room Lamp	3-6	3-6	3-6
Light-on-Warning Buzzer	3-5	3-5	3-5
Power Window	2-6	2-6	2-6
Radiator Fan Motor	1-6	1-6	1-6
Radio	2-5	2-5	2-5
Rear Window Defogger	3-6	3-6	3-6
Rear Wiper & Washer	3-7	3-7	3-7
Room Lamp	3-7	3-7	3-5
Side lamp	2-1	2-1	2-1
Sun Roof	3-1	3-1	3-1
Starter	1-4	1-1	1-1
Stop Lamp	3-6	3-6	3-6
Turn Signal & Hazard Lamp	3-4	3-4	3-4

(A/C) 30A 1.25B-R → To condenser fan relay (1-4)

WIRING DIAGRAM FOR TYPE CB ENGINE







From F.L 1.25 (AM) (1-1)
(for CB-90)

A

D

relay (-), (1-7)
CB-80 engine)

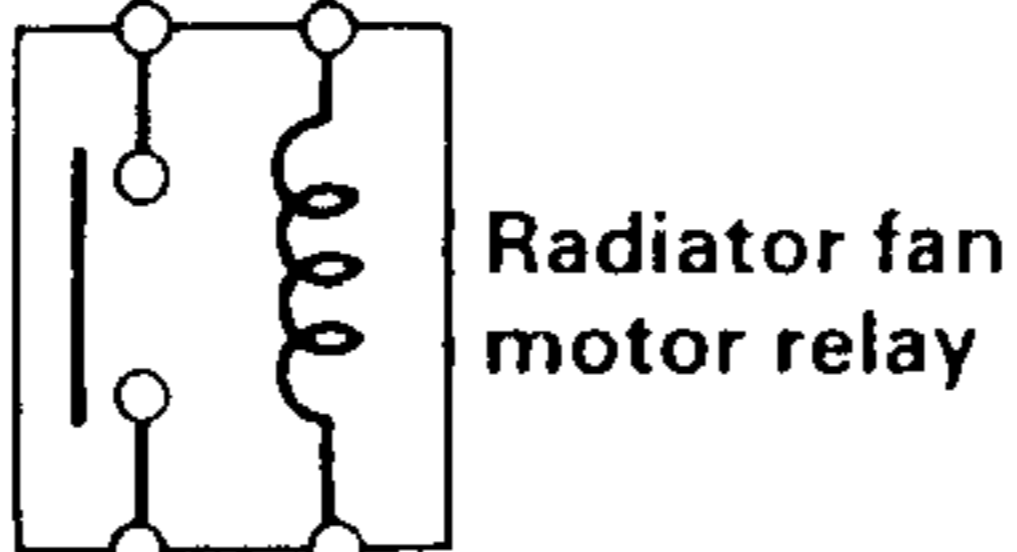
3B (Except CB-80)
5B (For CB-80)

From
FUSE ENGINE
15A (1-2)

0.85L (Except EFI)

To A/C (5-2)
To A/C switch (1-5)
1.25L-B

1.25L-B



Radiator fan motor relay



Radiator fan motor

Only for AM/FM radio
mounted vehicle



Radiator fan motor

3L-R

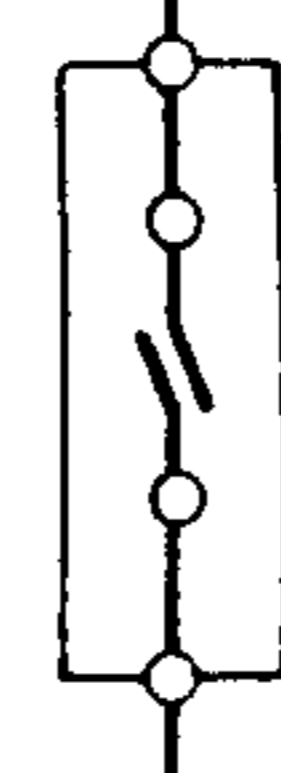
0.85L-W

Check terminal
From idle-up
VSV (4-5)



Fan motor switch

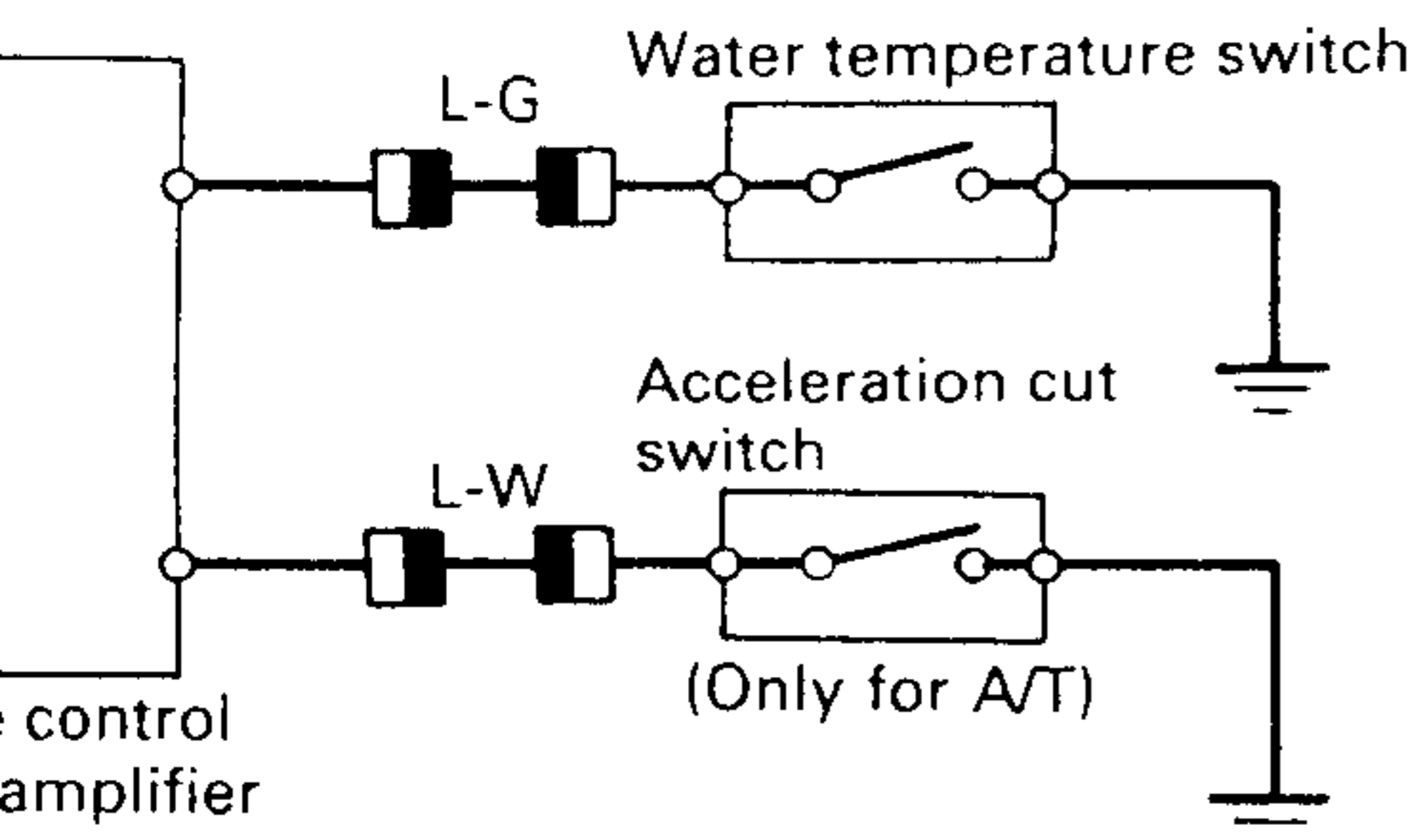
E2



Fan motor switch

E2

To heater blower (1-7)



control
amplifier

Water temperature switch

Acceleration cut
switch

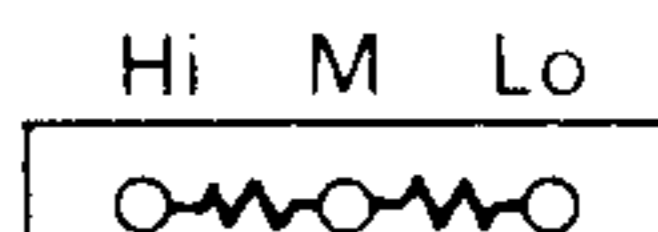
(Only for AT)

Blower
motor



M

To condenser
fan relay (1-4)



Hi M Lo

12.5L-W

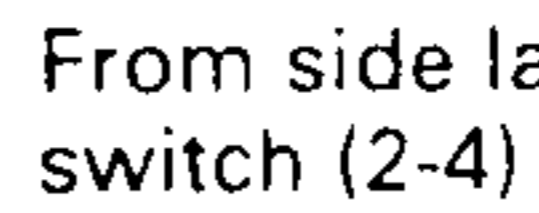
W-B

1.25L-W

L-Y

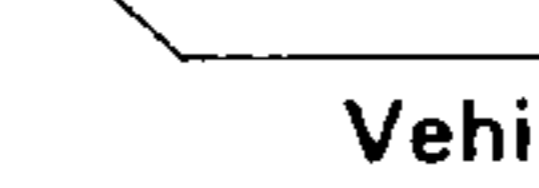
L-R

From side lamp
switch (2-4)



Heater control
illumination

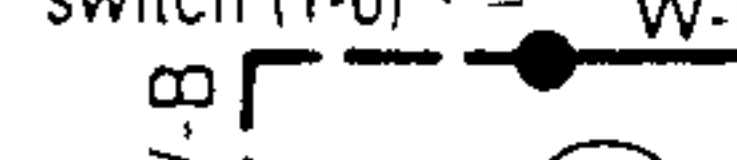
G-W



Heater blower switch

Vehicles w/o heater relay

From A/C
switch (1-6)

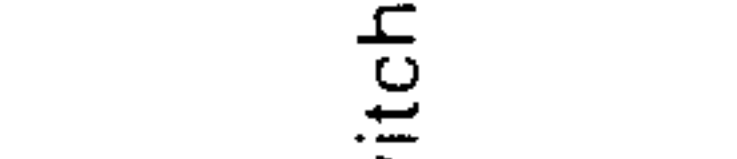


Blower motor

1.25L-W

W-B

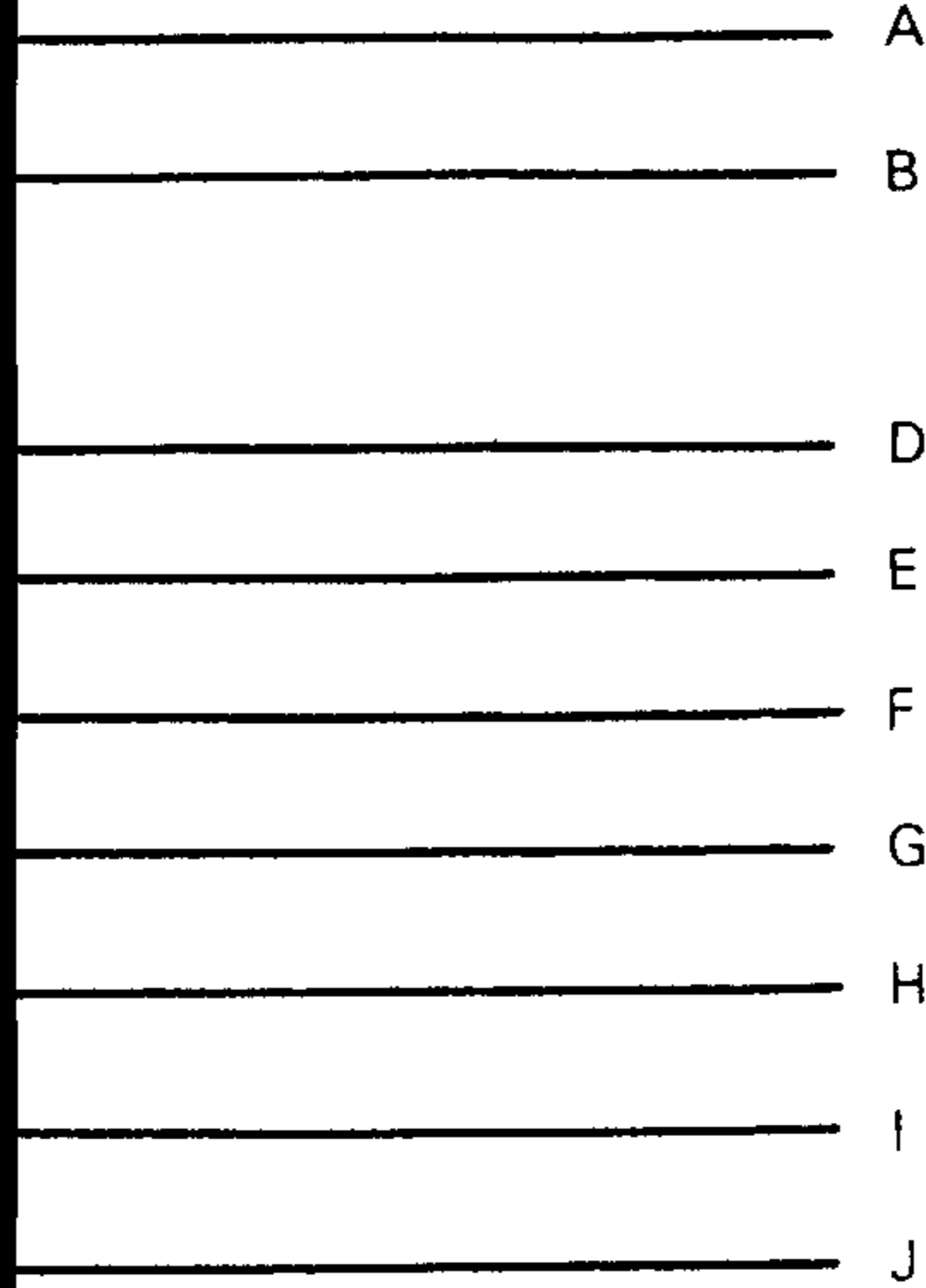
From side lamp switch
(2-4) G-W



Blower motor

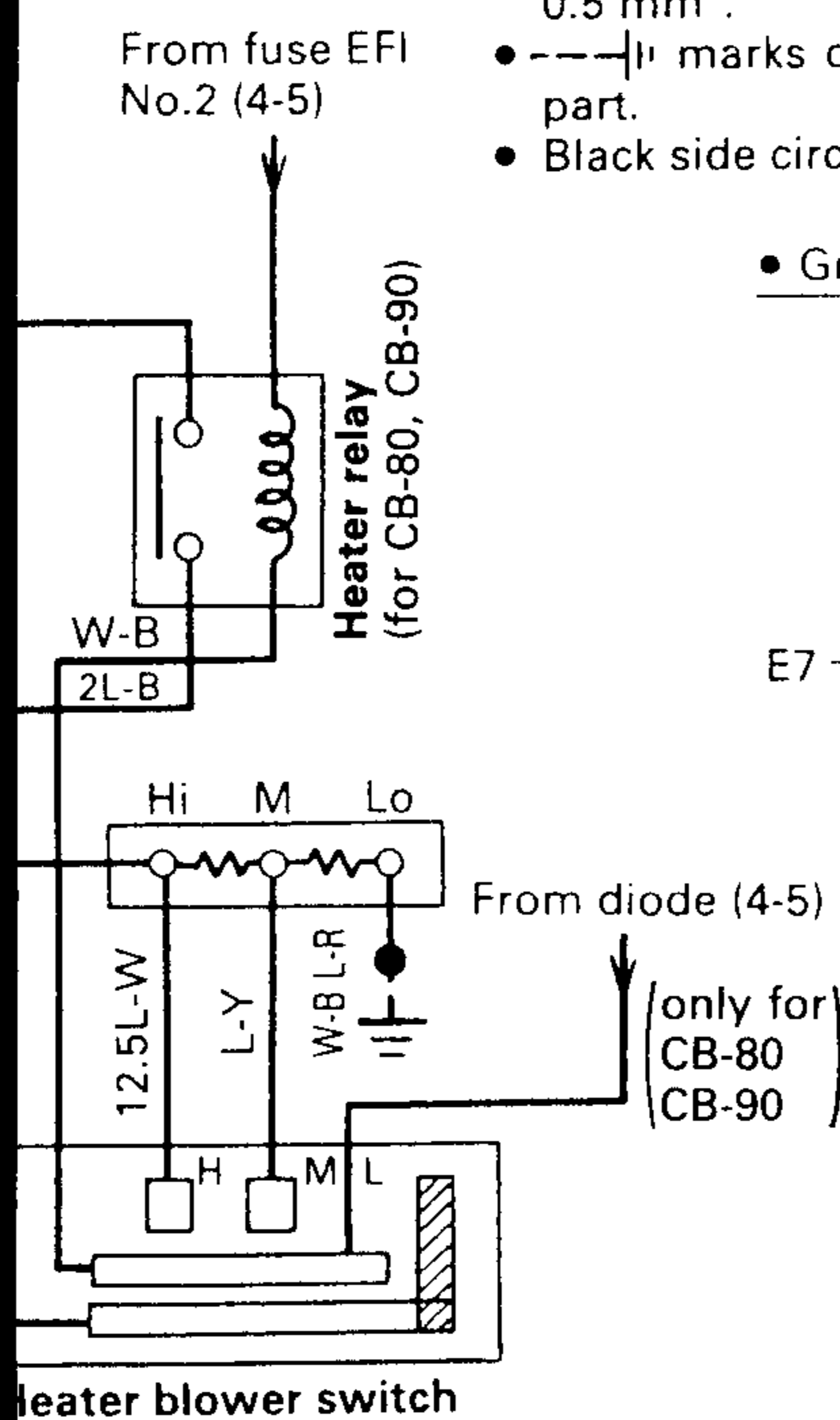
G-W

CB-1

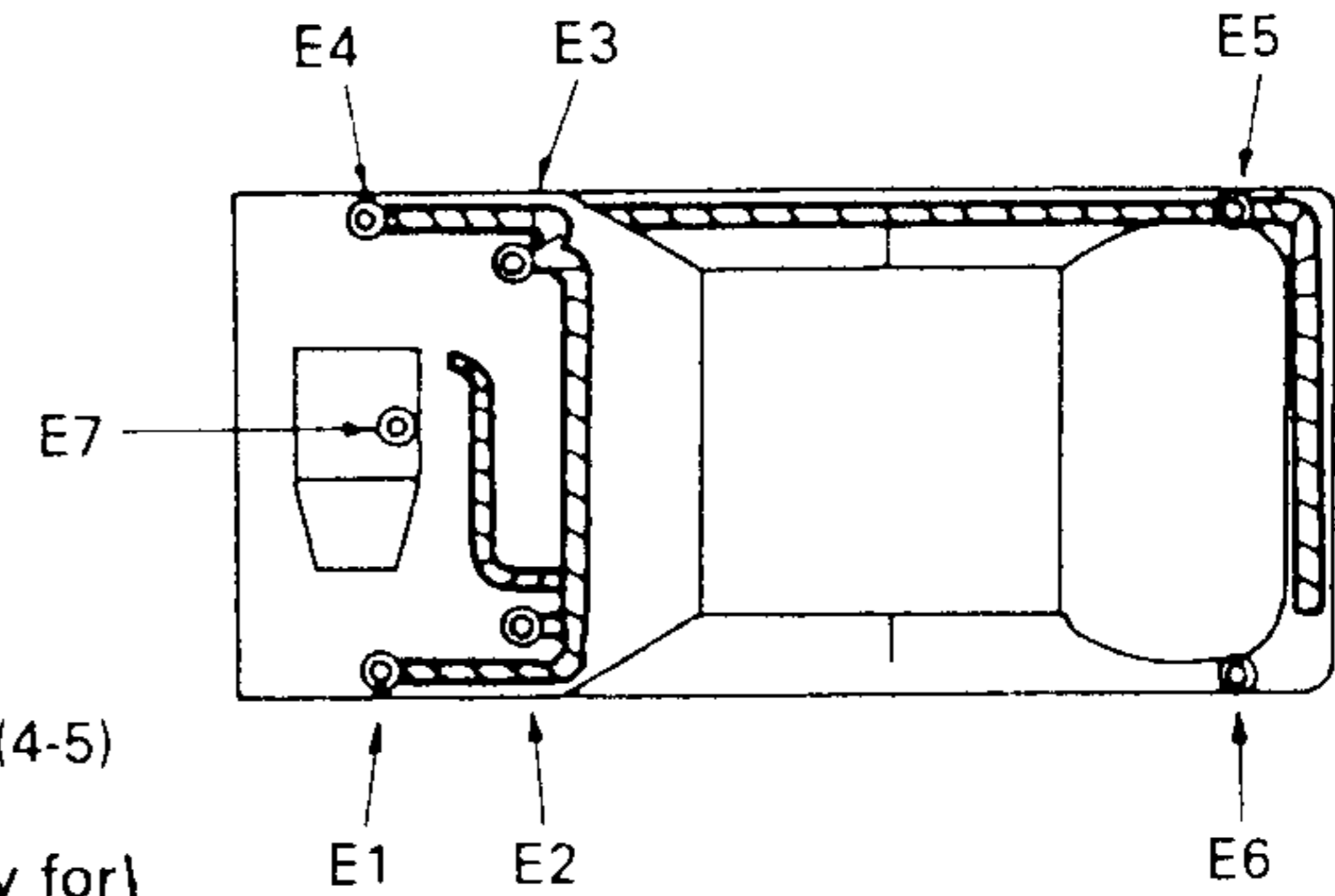


FUSE
HEAT
20A (30A: for West Germany)

- [NOTE]
- The wire diameter which is not indicated in this wiring diagram is 0.5 mm².
 - ---| | marks denote the earth directly connected to the component part.
 - Black side circuit at marks show vehicle harness.



• Ground points



- E1 Apron fender LH
- E2 Cowl side LH
- E3 Cowl side RH
- E4 Apron fender RH
- E5 Quarter wheel house
- E6 Back door
- E7 Engine block

Vehicles with heater relay

WIRING CODE & COLOUR

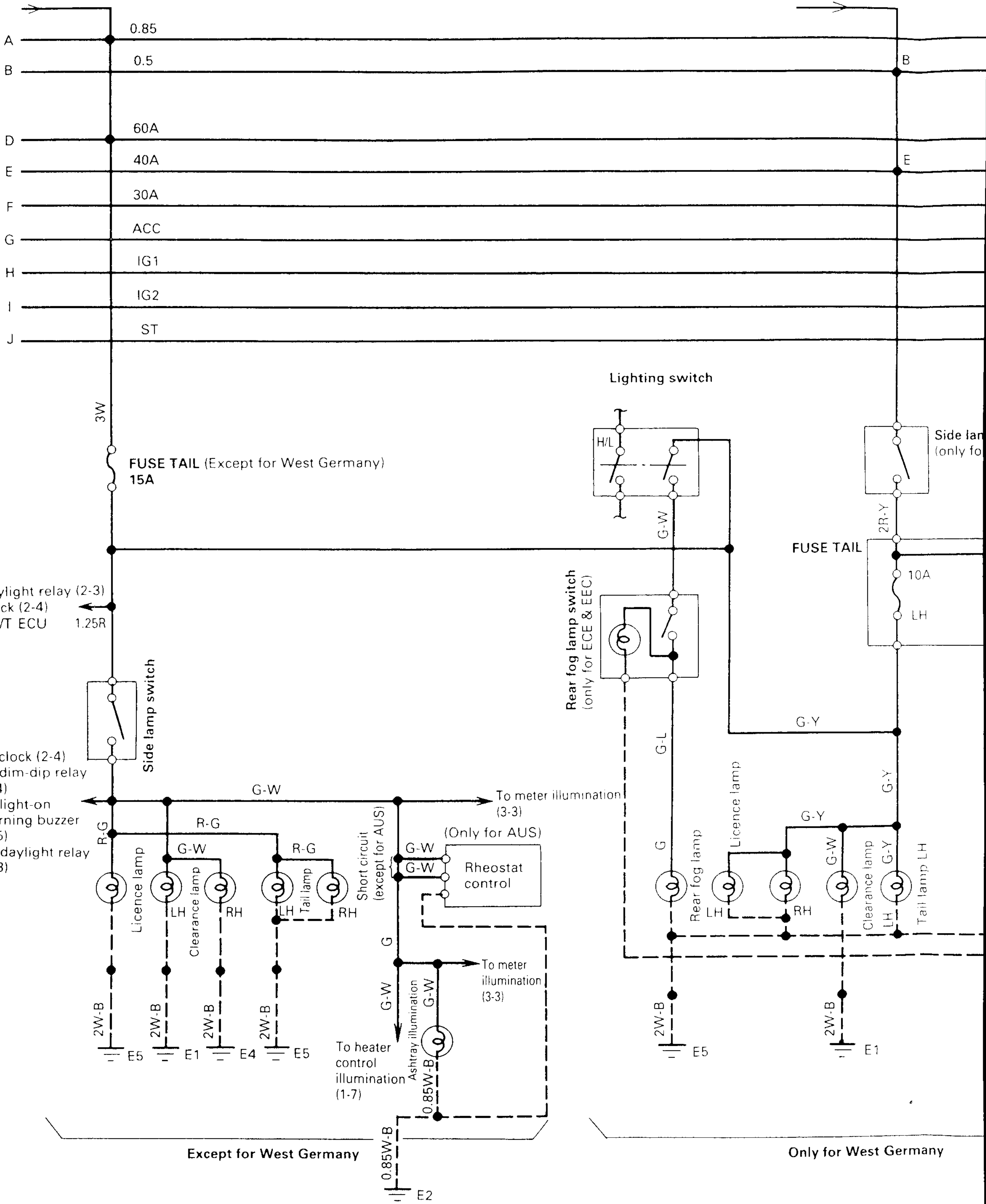
Code	Gr	Br	B	W	R	G
Colour	Gray	Brown	Black	White	Red	Green
Code	Y	L	O	P	Lg	
Colour	Yellow	Blue	Orange	Pink	Light green	

From F.L. 1.25 (AM) (1-1)
(for CB-90)

1

From FUSE H/L 40A (1-1)
(for CB-90)

2

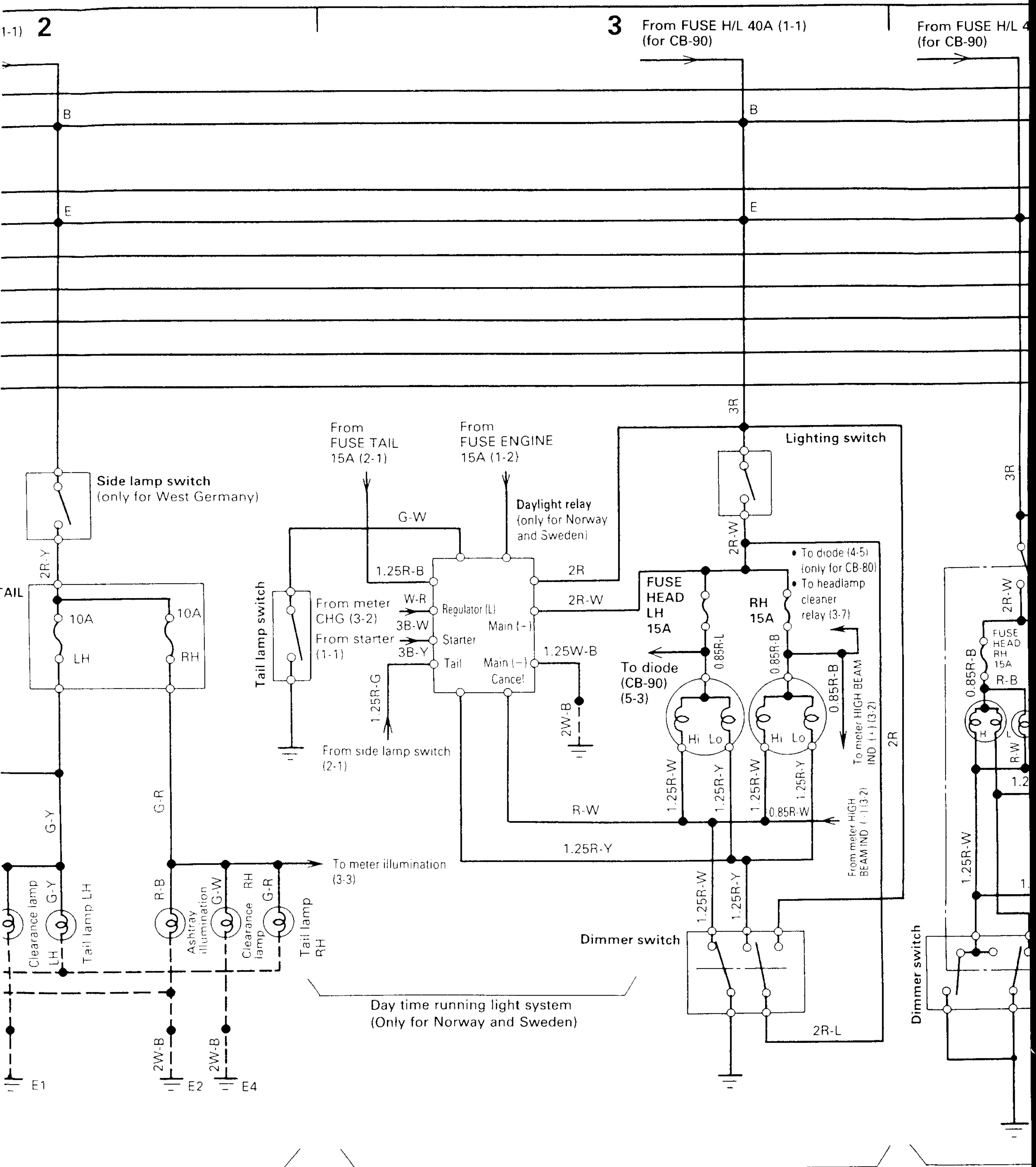


Except for West Germany

Only for West Germany

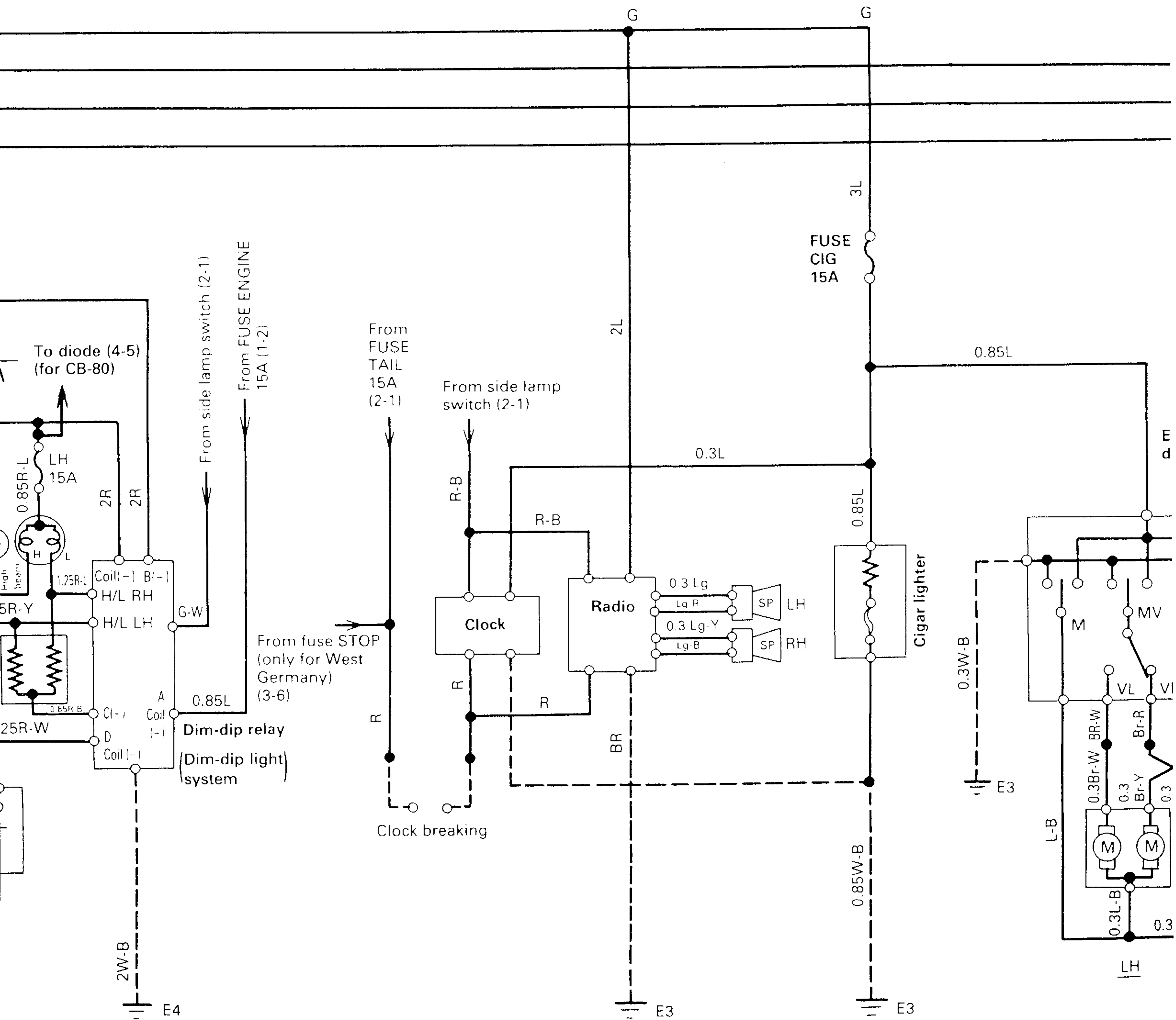
1

2

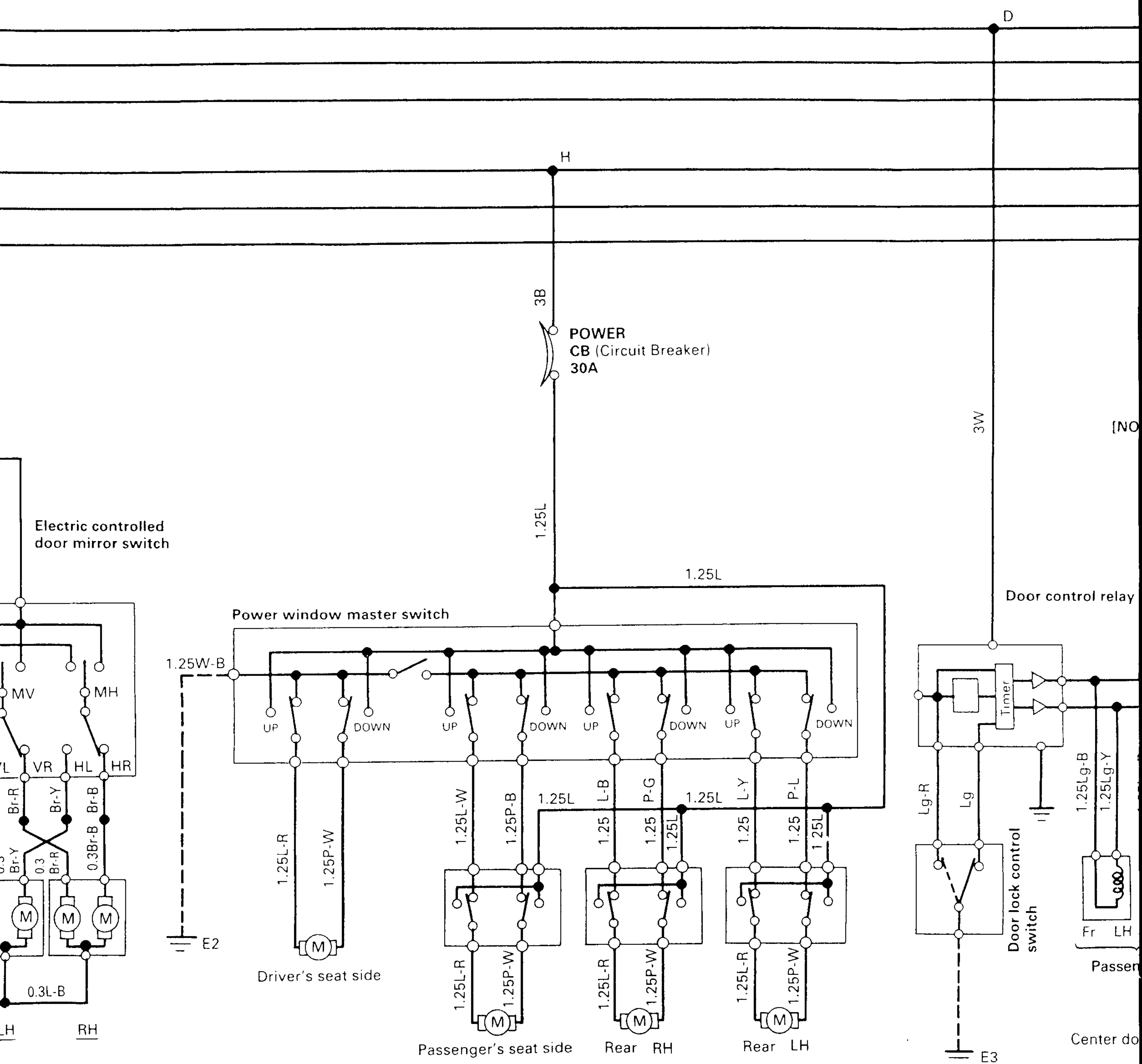


For West Germany

Except for UK



Only for UK



Electric controlled door mirror switch

Power window master switch

POWER CB (Circuit Breaker) 30A

Driver's seat side

Passenger's seat side

Rear RH

Rear LH

Door control relay

Door lock control switch

Passenger

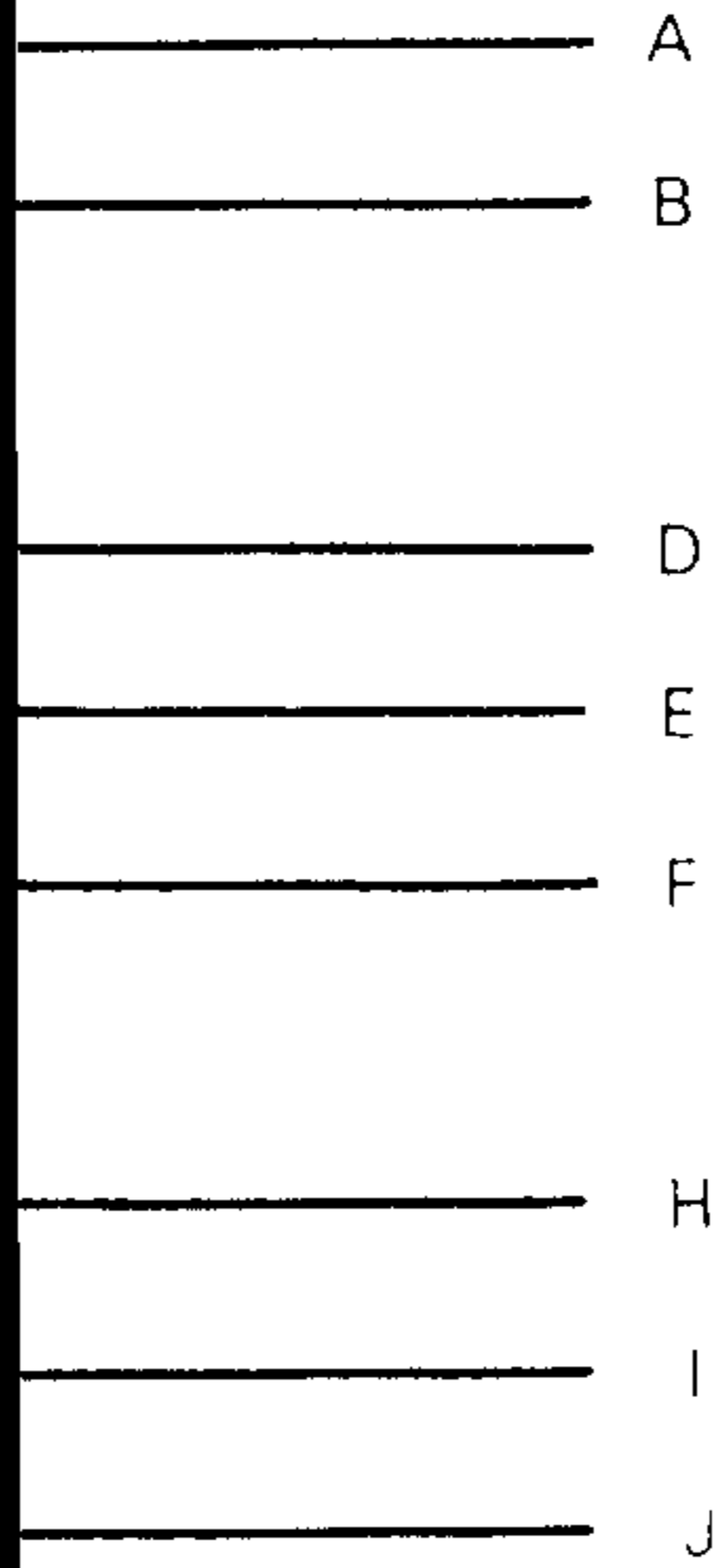
Center do

E2

E3

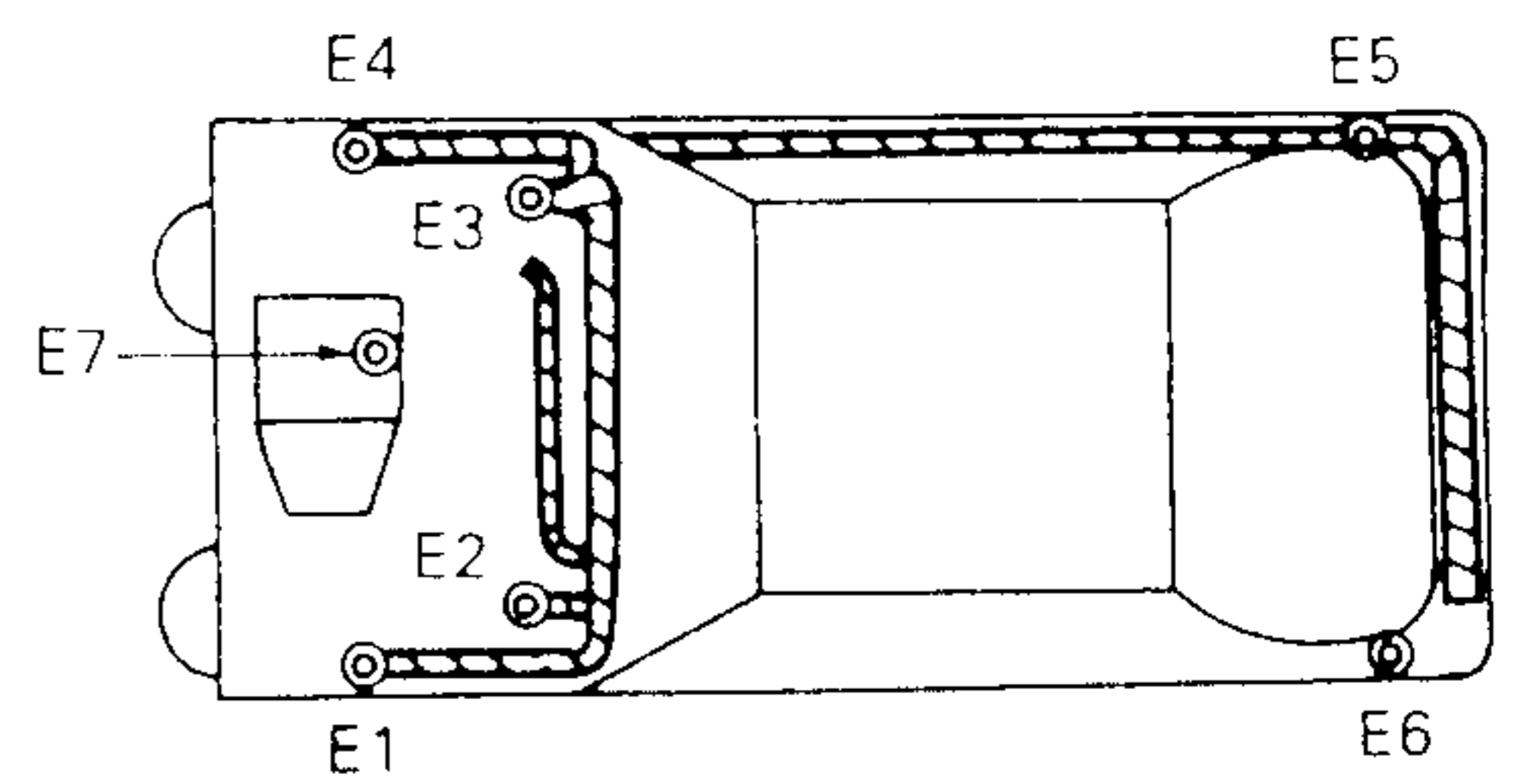
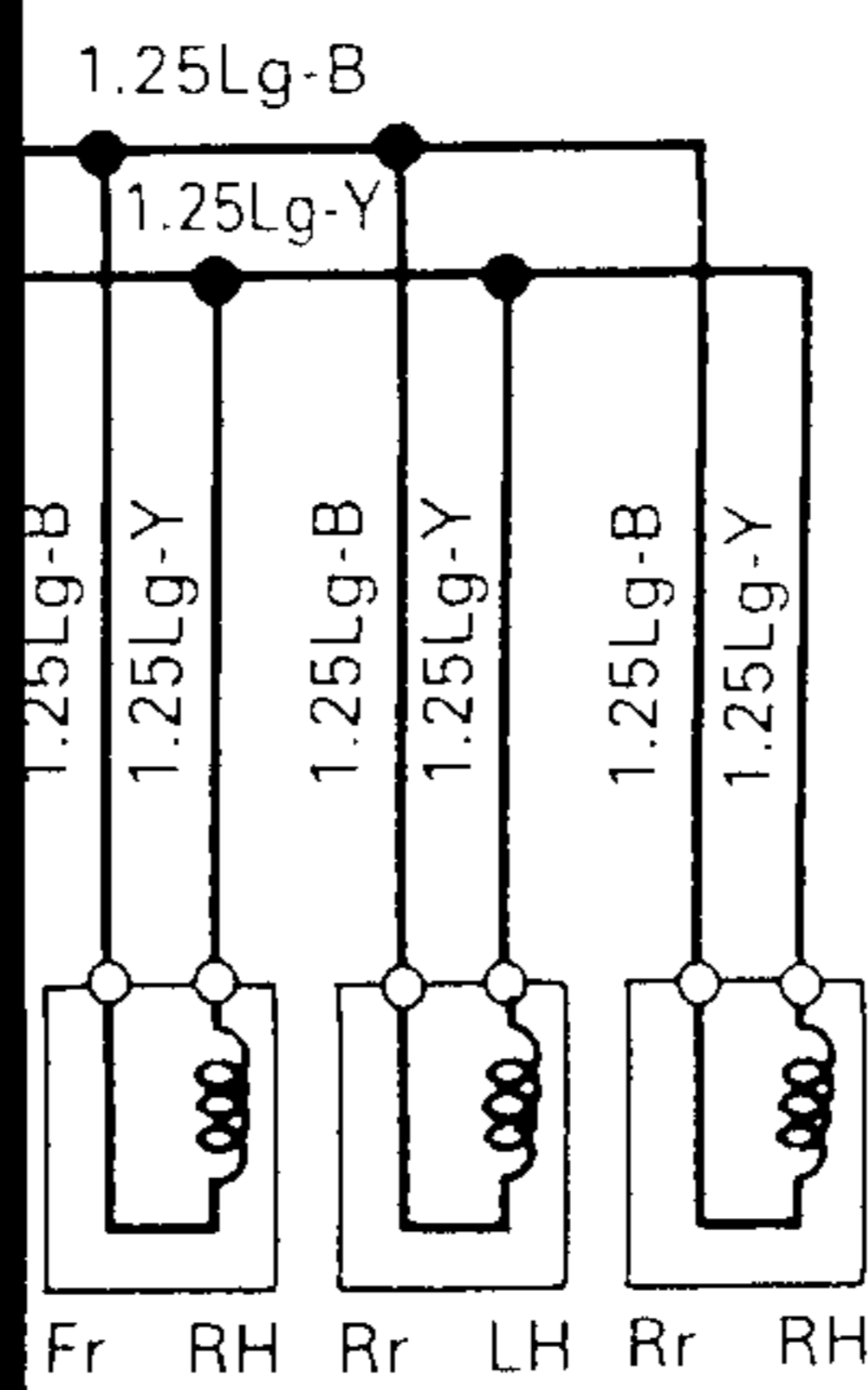
[NO

CB-2



- TE] • The wire diameter which is not indicated in this wiring diagram is 0.5 mm².
- --| marks denote the earth directly connected to the component part.
 - Black side circuit at --| marks show vehicle harness.

• Ground points



- E1 Apron fender LH
- E2 Cowl side LH
- E3 Cowl side RH
- E4 Apron fender RH
- E5 Quater wheel house
- E6 Back door
- E7 Engine block

ger's seat side only

Solenoid coil

or lock

WIRING CODE & COLOUR

Code	Gr	Br	B	W	R	G
Colour	Gray	Brown	Black	White	Red	Green
Code	Y	L	O	P	Lg	
Colour	Yellow	Blue	Orange	Pink	Light green	

1

2

A 0.85

B 0.5

D 60A

E 40A

F 30A

H IG1 H

I IG2

J ST

3B

FUSE
SUN ROOF
20A

1.25L

1.25L

1.25W-B

Relay
No.1

Relay
No.2

R-Y

1.25G

R-W

1.25R

Motor Assy

LS1

M

LS2

OPEN

CLOSE

Down

UP

Slide

Switch

Tilt

Switch

Sun roof switch

1.25W-B

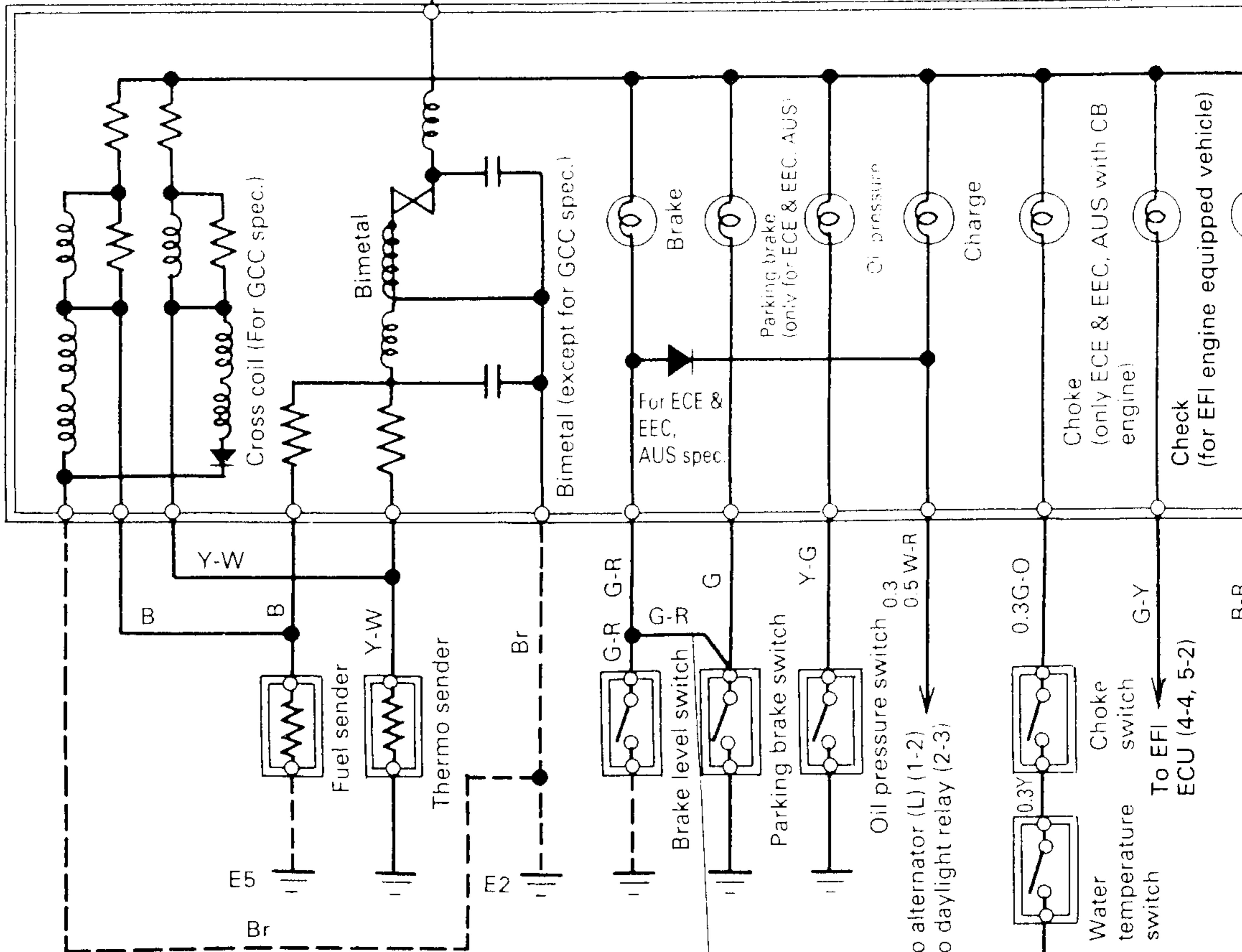
E2

3B

FUSE
GAUGE
10A

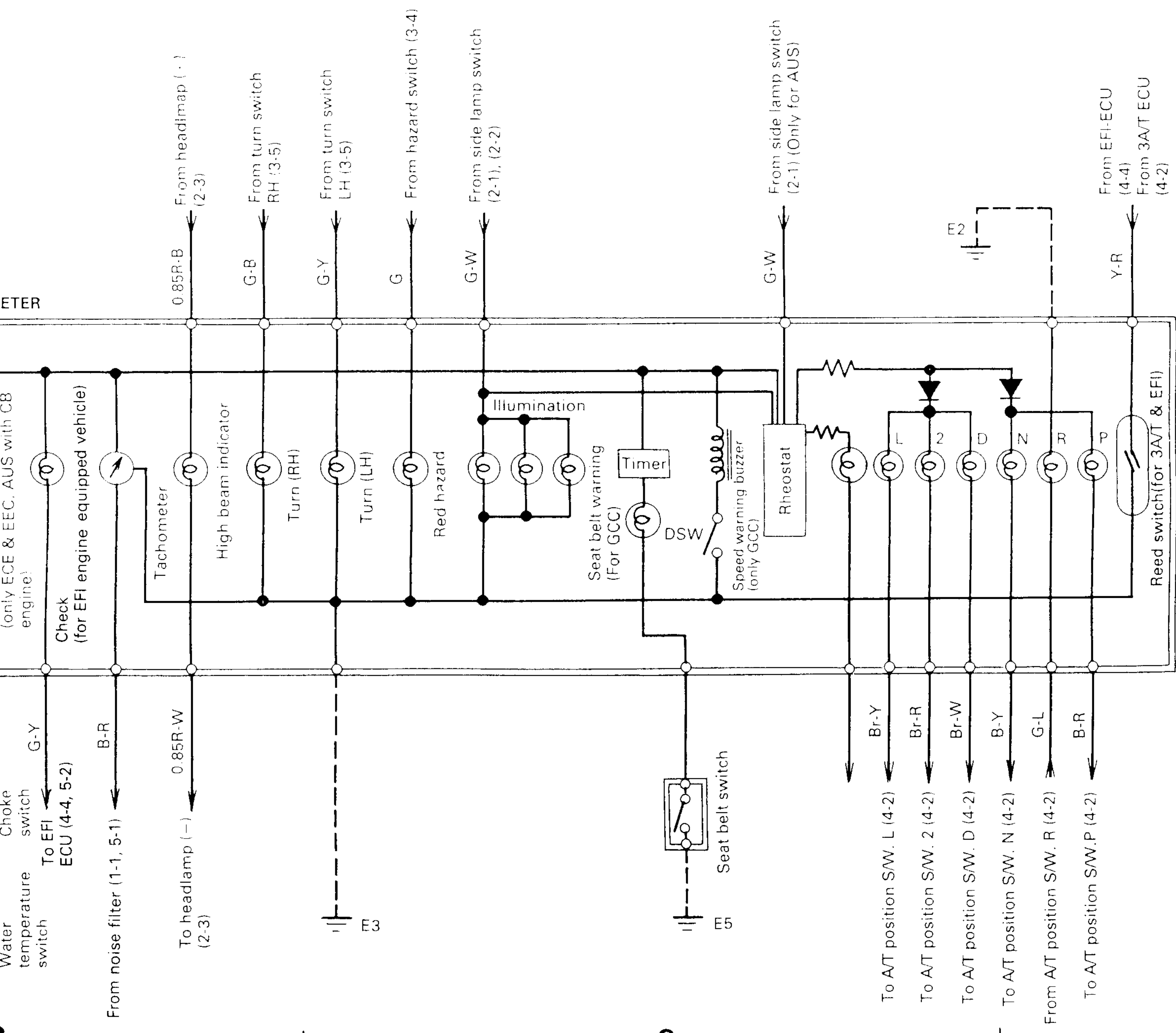
Y

METER



Except for ECE & EEC, AUS spec.

2

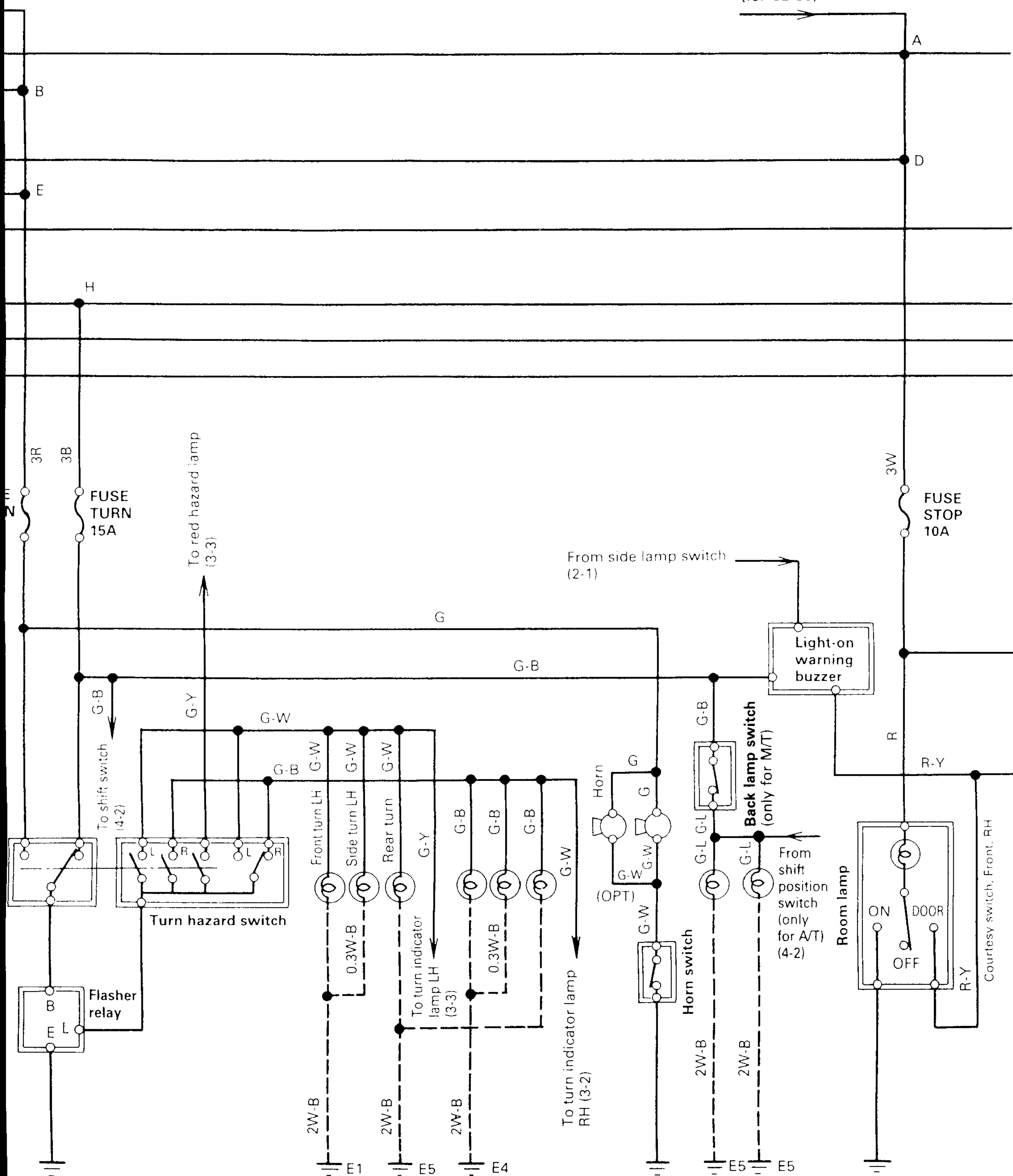


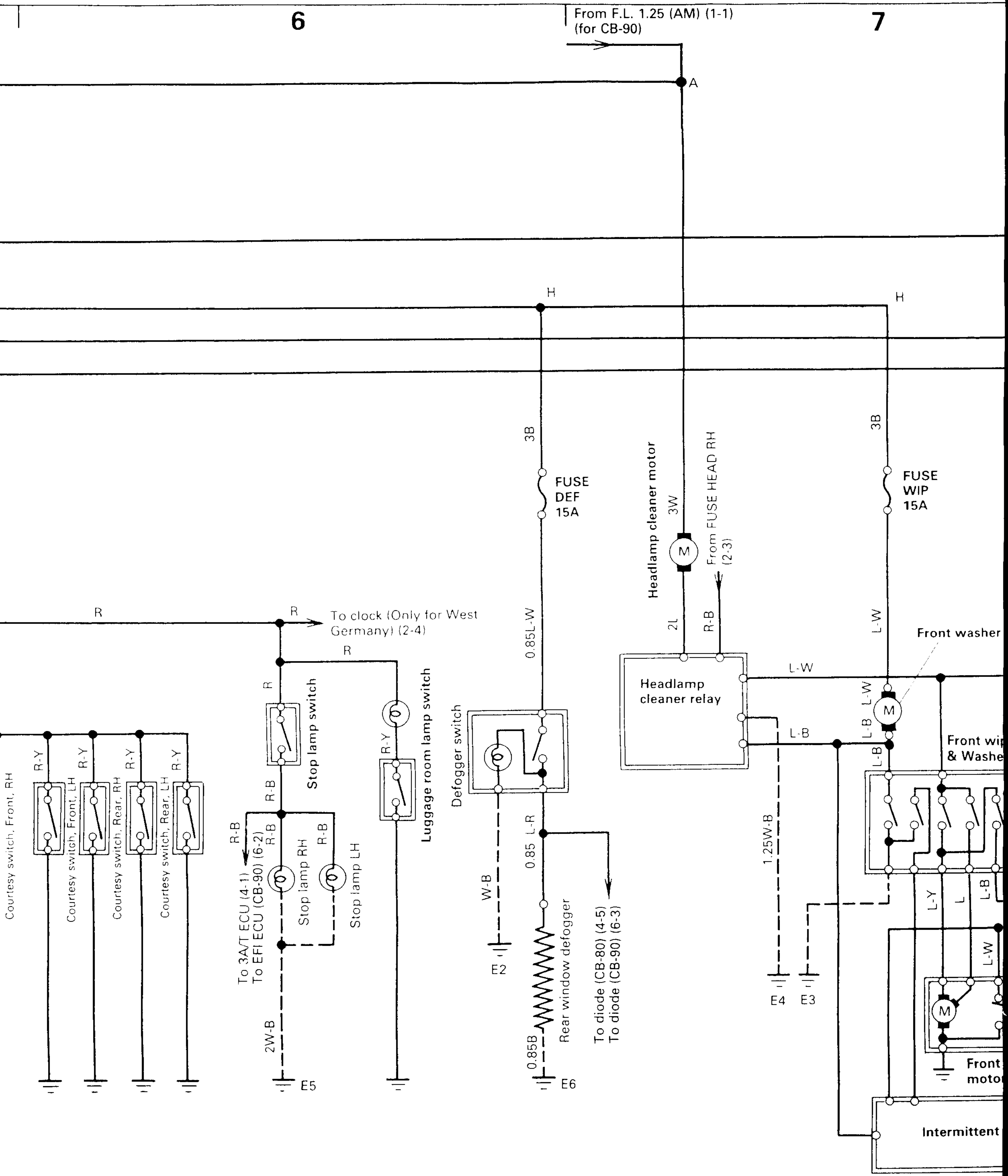
From FUSE H/L 40A (for CB-90)

3

FUSE HOR 15A

3





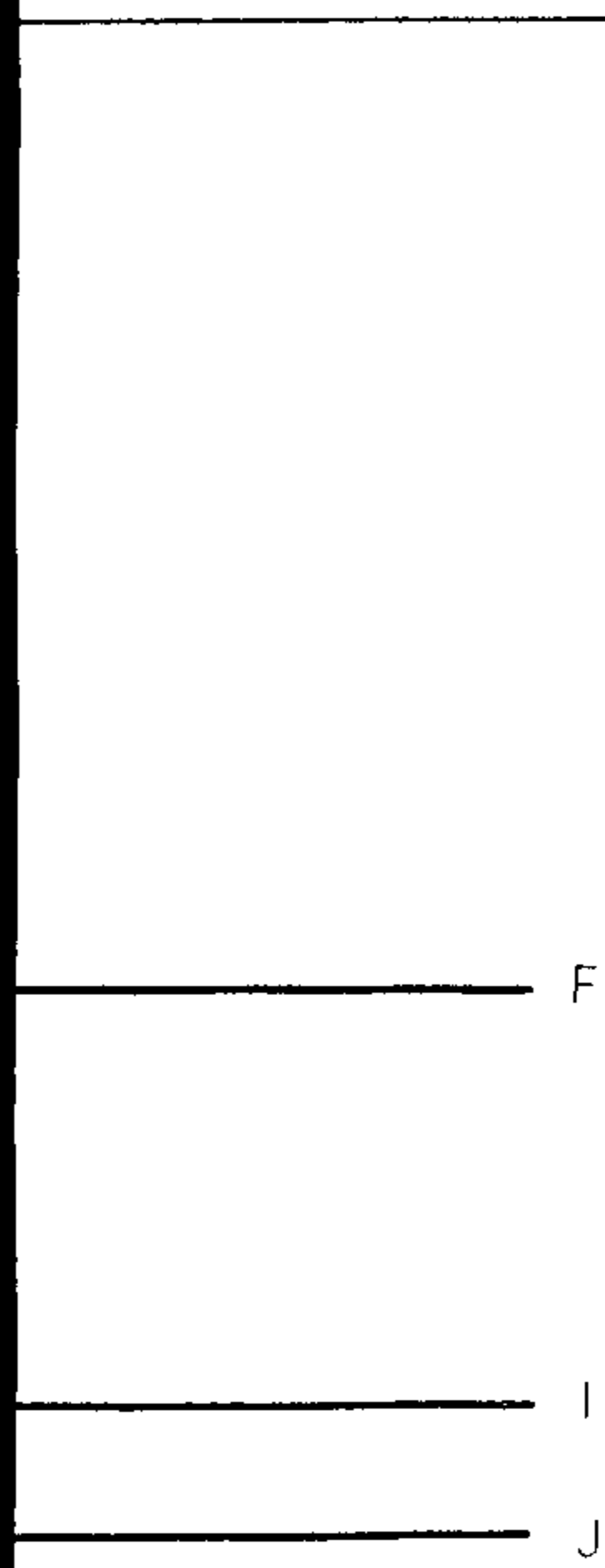
6

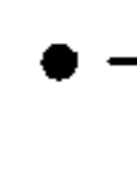

7

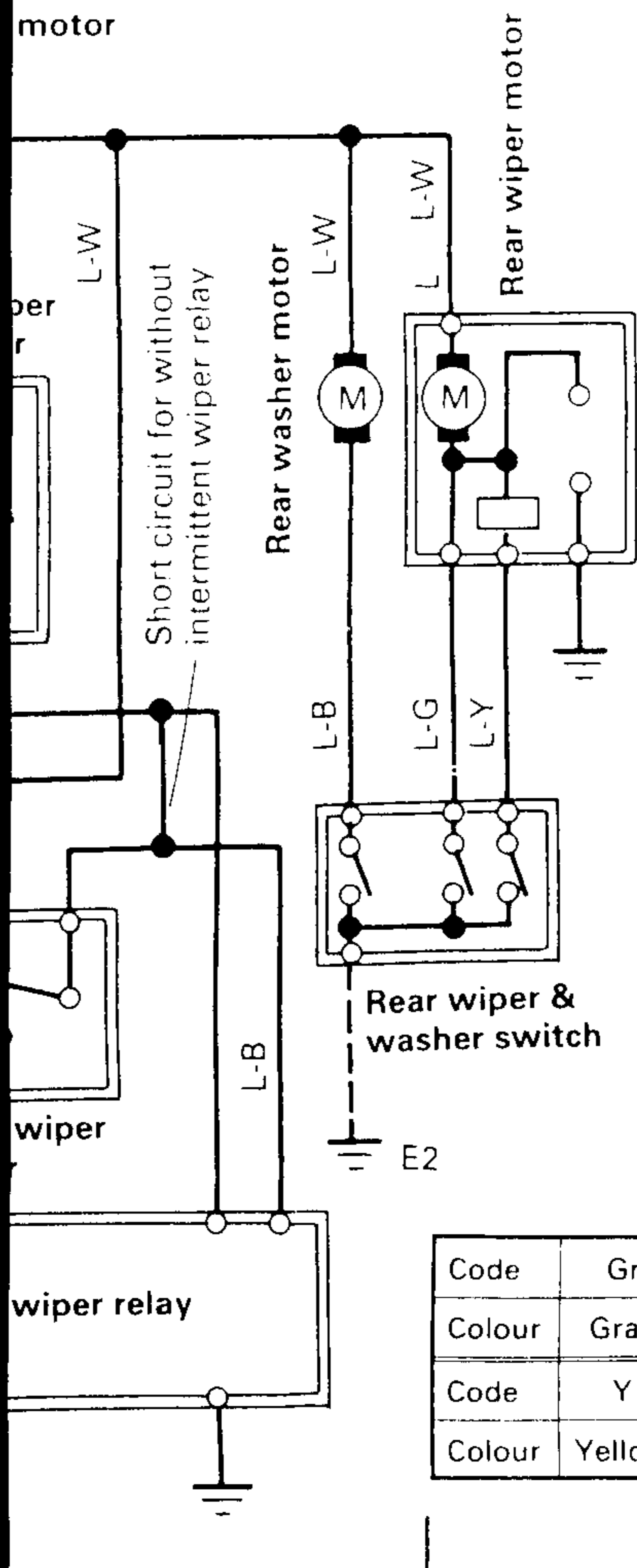
6

7

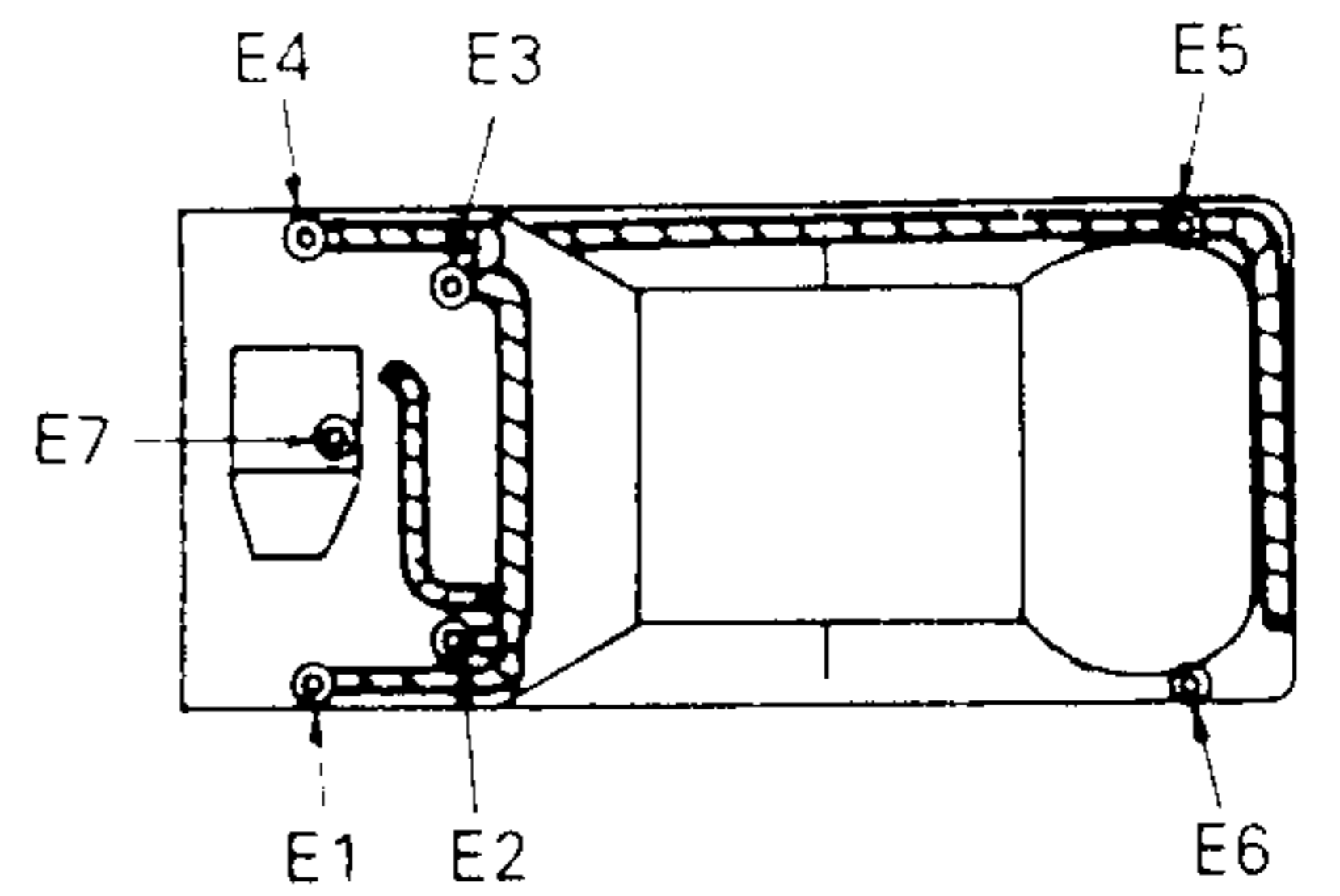
CB-3



- [NOTE]
- The wire diameter which is not indicated in this wiring diagram is 0.5 mm².
 -  marks denote the earth directly connected to the component part.
 - Black side circuit at  marks show vehicle harness.



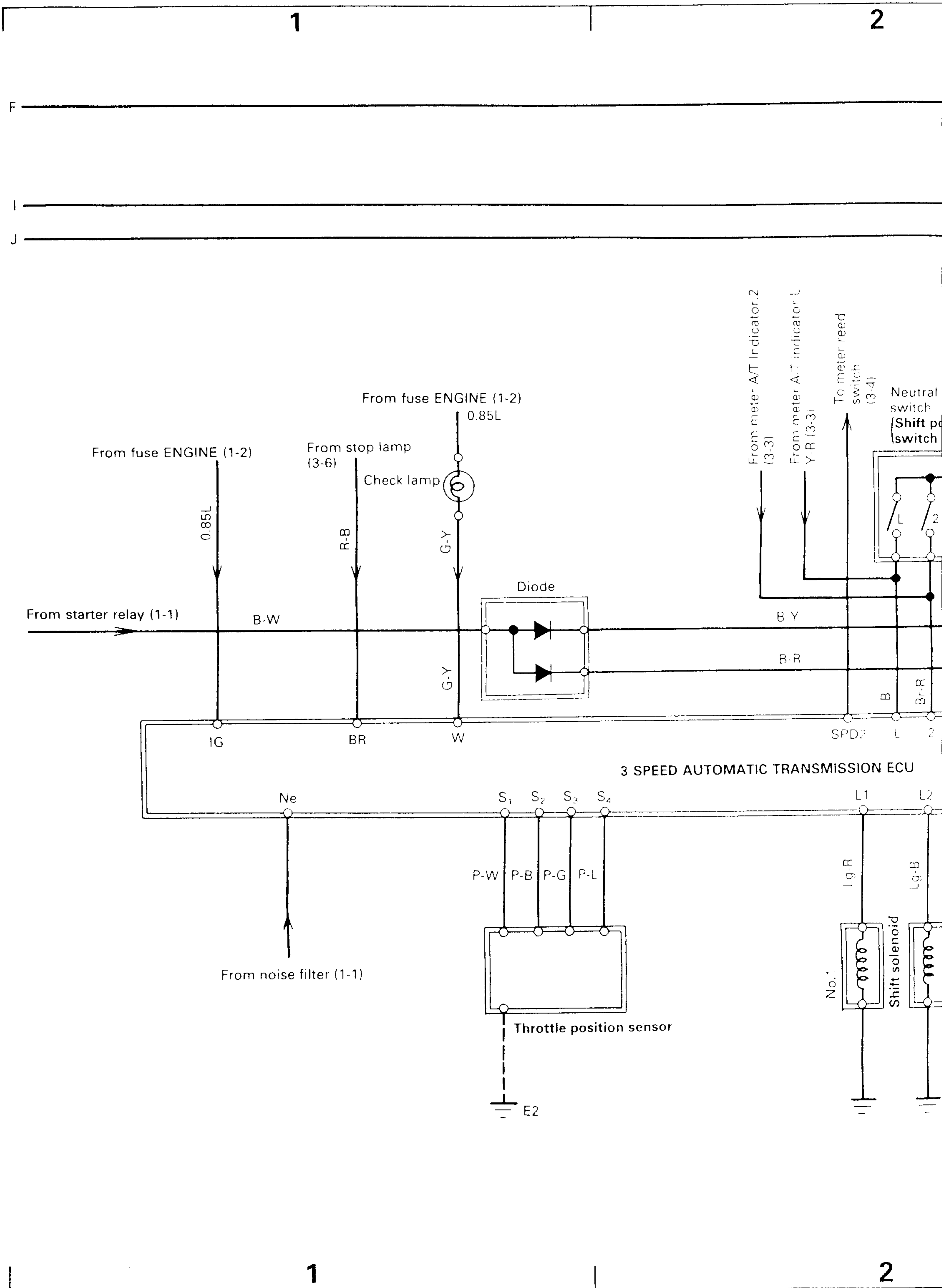
• Ground points

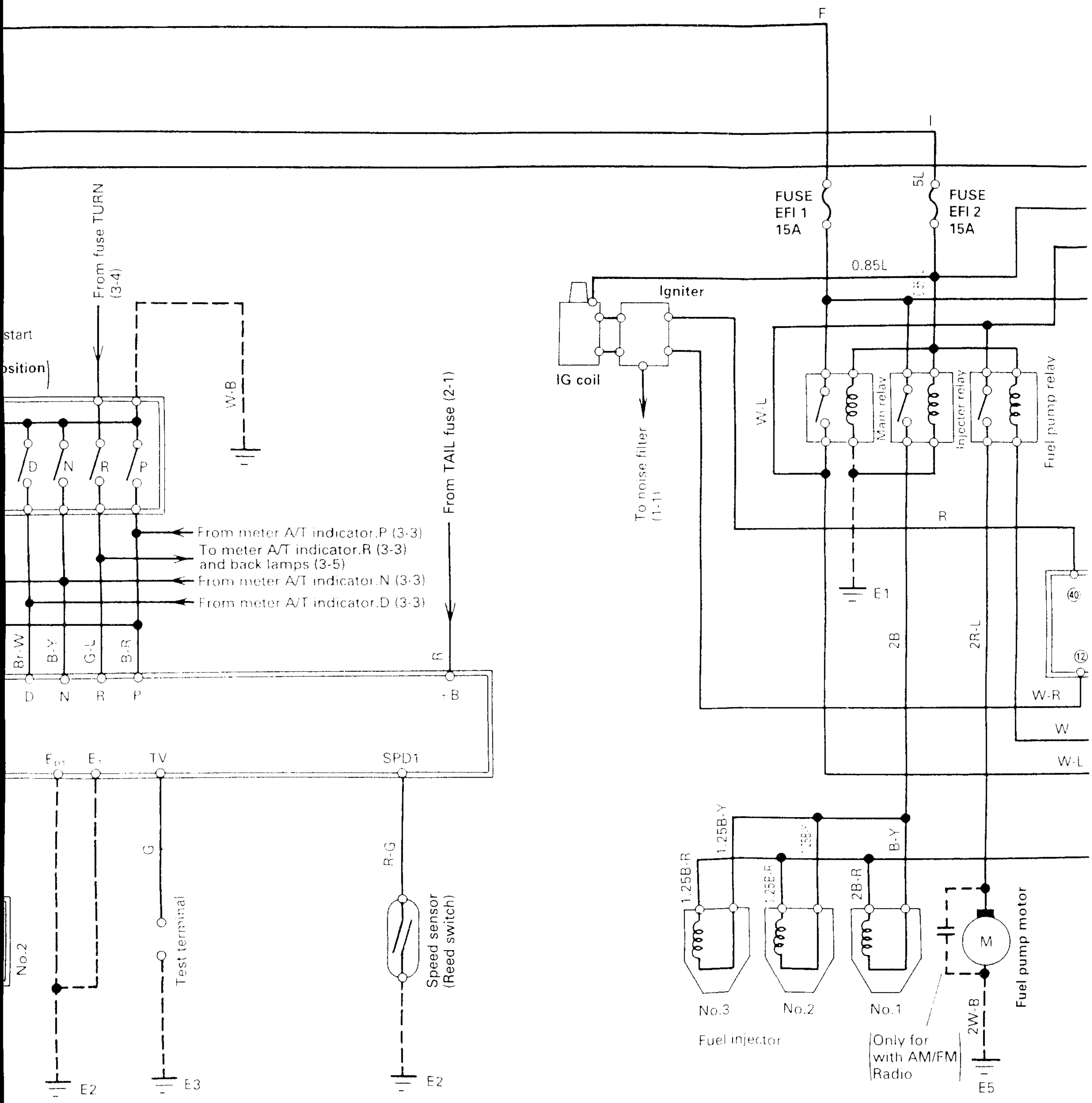


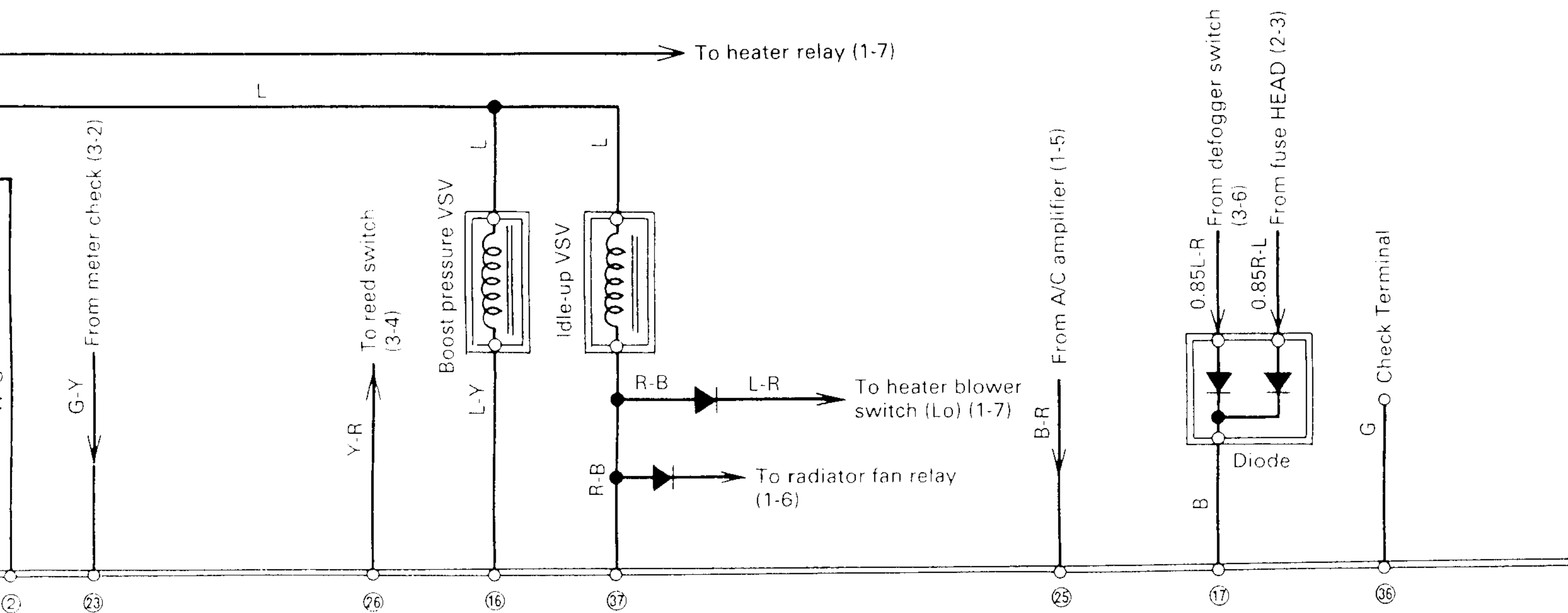
- E1 Apron fender LH
- E2 Cowl side LH
- E3 Cowl side RH
- E4 Apron fender RH
- E5 Quater wheel house
- E6 Back door
- E7 Engine block

WIRING CODE & COLOUR

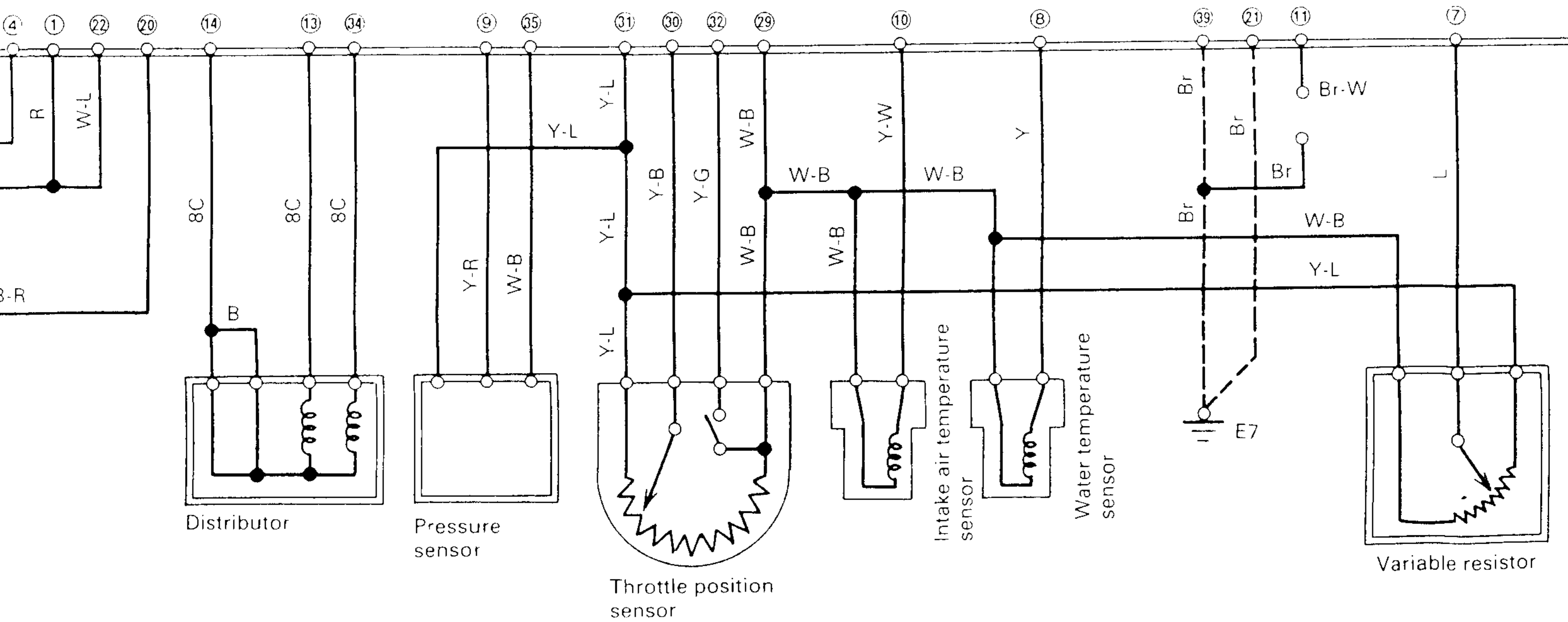
Code	Gr	Br	B	W	R	G
Colour	Gray	Brown	Black	White	Red	Green
Code	Y	L	O	P	Lg	
Colour	Yellow	Blue	Orange	Pink	Light green	

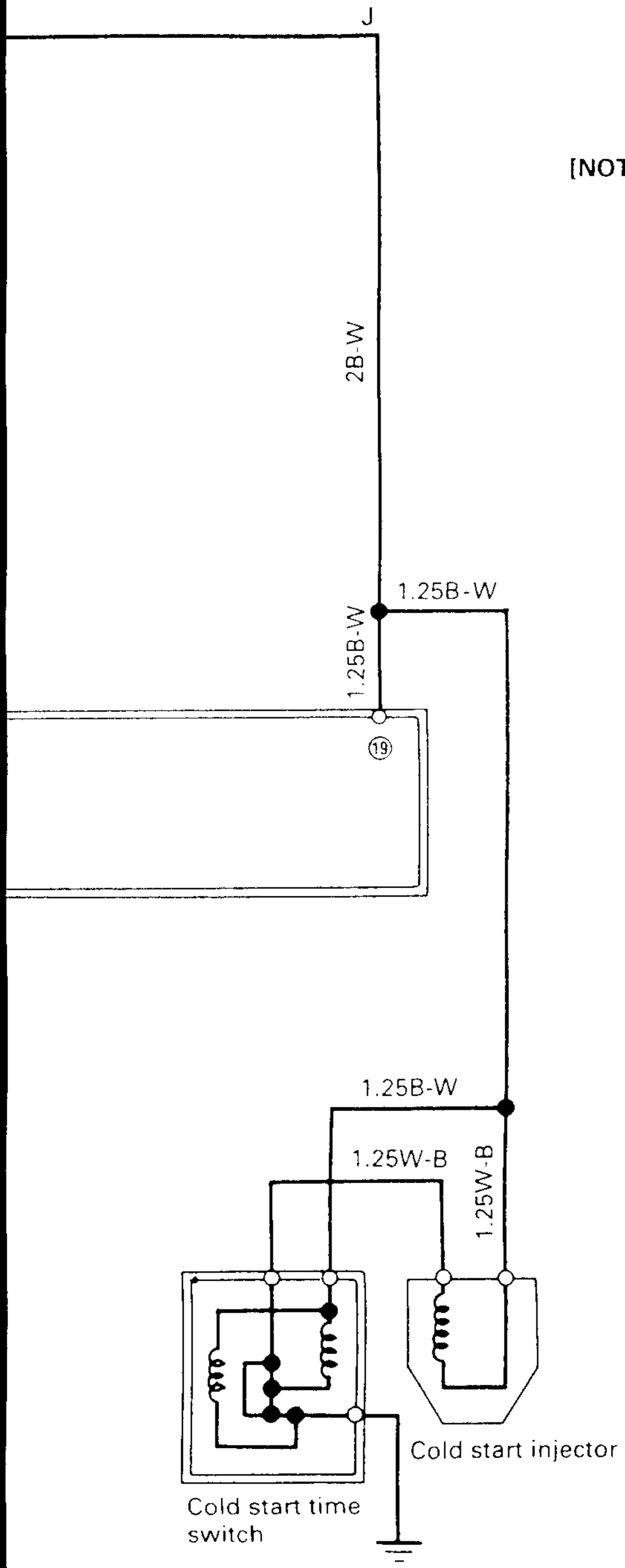




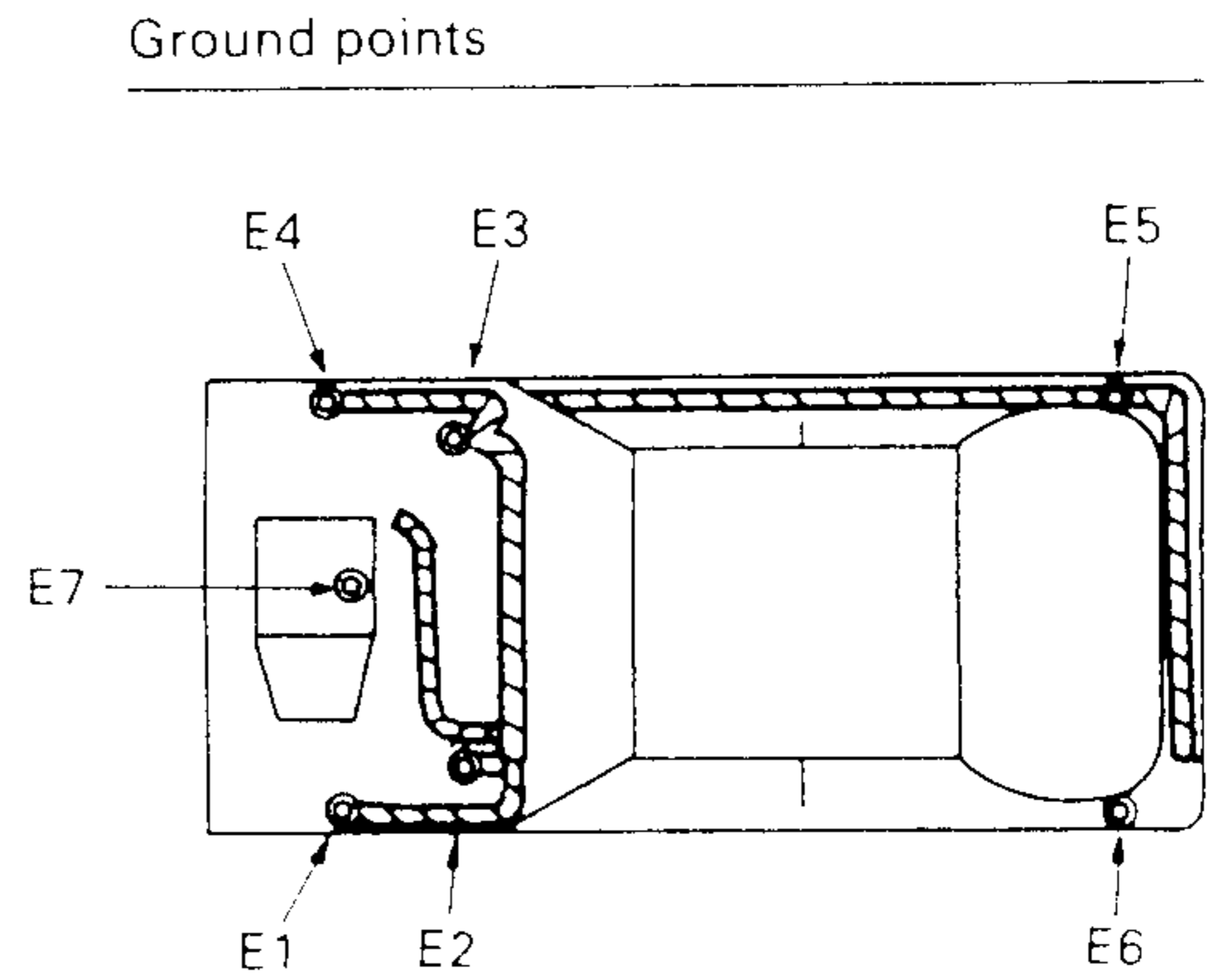


CB-80 EFI ECU





[NOTE] • The wire diameter which is not indicated in this wiring diagram is 0.5 mm².
 • --| marks denote the earth directly connected to the component part.
 • Black side circuit at -| marks show vehicle harness.



- E1 Apron fender LH
- E2 Cowl side LH
- E3 Cowl side RH
- E4 Apron fender RH
- E5 Quater wheel house
- E6 Back door
- E7 Engine block

WIRING CODE & COLOUR

Code	Gr	Br	B	W	R	G
Colour	Gray	Brown	Black	White	Red	Green
Code	Y	L	O	P	Lg	
Colour	Yellow	Blue	Orange	Pink	Light green	